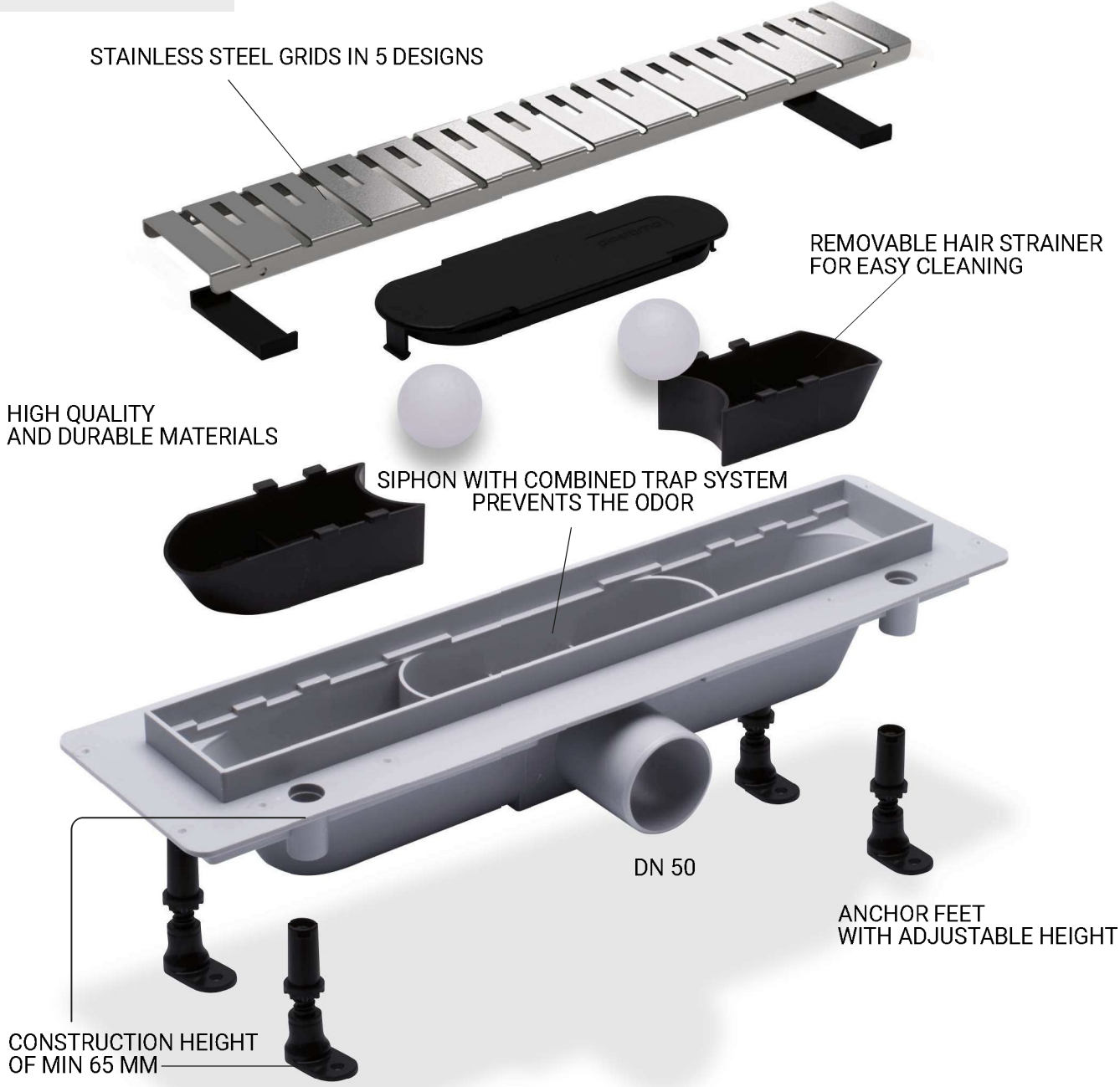


# ADVANTAGES OF OUR DRAIN CHANNEL






**NEW IN SORTIMENT**



Stainless steel grid | 5 designs | 5 lengths

# PRICELIST

**ALL IN STOCK**

ART.	DESCRIPTION	L1	L2	L3	RRP	
SZA1400	Plastic drain channel combi, stainless steel grid 1, L=400 mm	393	400	460	89,000 EUR	<b>Design 1</b> 
SZA1550	Plastic drain channel combi, stainless steel grid 1, L=550 mm	543	550	610	100,000 EUR	
SZA1650	Plastic drain channel combi, stainless steel grid 1, L=650 mm	644	650	710	105,000 EUR	
SZA1750	Plastic drain channel combi, stainless steel grid 1, L=750 mm	744	750	810	112,000 EUR	
SZA1850	Plastic drain channel combi, stainless steel grid 1, L=850 mm	844	850	910	117,000 EUR	
SZA2400	Plastic drain channel combi, stainless steel grid 2, L=400 mm	393	400	460	89,000 EUR	<b>Design 2</b> 
SZA2550	Plastic drain channel combi, stainless steel grid 2, L=550 mm	543	550	610	100,000 EUR	
SZA2650	Plastic drain channel combi, stainless steel grid 2, L=650 mm	644	650	710	105,000 EUR	
SZA2750	Plastic drain channel combi, stainless steel grid, L=750 mm	744	750	810	112,000 EUR	
SZA2850	Plastic drain channel combi, stainless steel grid 2, L=850 mm	844	850	910	117,000 EUR	
SZA3400	Plastic drain channel combi, stainless steel grid 3, L=400 mm	393	400	460	89,000 EUR	<b>Design 3</b> 
SZA3550	Plastic drain channel combi, stainless steel grid 3, L=550 mm	543	550	610	100,000 EUR	
SZA3650	Plastic drain channel combi, stainless steel grid 3, L=650 mm	644	650	710	105,000 EUR	
SZA3750	Plastic drain channel combi, stainless steel grid 3, L=750 mm	744	750	810	112,000 EUR	
SZA3850	Plastic drain channel combi, stainless steel grid 3, L=850 mm	844	850	910	117,000 EUR	
SZA4400	Plastic drain channel combi, stainless steel grid 2in1, L=400 mm	393	400	460	89,000 EUR	<b>Design 4</b> 
SZA4550	Plastic drain channel combi, stainless steel grid 2in1, L=550 mm	543	550	610	100,000 EUR	
SZA4650	Plastic drain channel combi, stainless steel grid 2in1, L=650 mm	644	650	710	105,000 EUR	
SZA4750	Plastic drain channel combi, stainless steel grid 2in1, L=750 mm	744	750	810	112,000 EUR	
SZA4850	Plastic drain channel combi, stainless steel grid 2in1, L=850 mm	844	850	910	117,000 EUR	
SZA5400	Plastic drain channel combi, stainless steel grid 5, L=400 mm	393	400	460	89,000 EUR	<b>Design 5</b> 
SZA5550	Plastic drain channel combi, stainless steel grid 5, L=550 mm	543	550	610	100,000 EUR	
SZA5650	Plastic drain channel combi, stainless steel grid 5, L=650 mm	644	650	710	105,000 EUR	
SZA5750	Plastic drain channel combi, stainless steel grid 5, L=750 mm	744	750	810	112,000 EUR	
SZA5850	Plastic drain channel combi, stainless steel grid 5, L=850 mm	844	850	910	117,000 EUR	

