

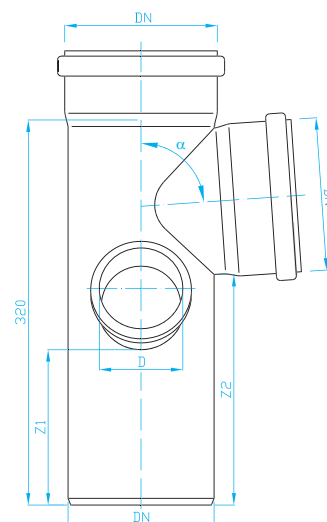
HT PP VNITŘNÍ ODPADNÍ SYSTÉM

HT PP INTERNAL DRAINAGE SYSTEM | HT PP HAUSABFLUSSSYSTEM | HT PP ВНУТРЕННЯЯ КАНАЛИЗАЦИЯ

HTEP Paneláková odbočka

Double corner branch
Doppleabzweige
Панельные отводы

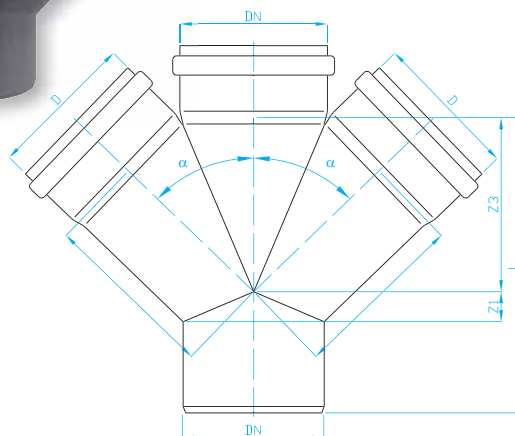
ART.	DN/DN/D	α	Z1	Z2
COLAA76	110/110/75 L	67°30'	112	198
COPAA76	110/110/75 P	67°30'	112	198
COLAA78	110/110/75 L	87°30'	112	198
COPAA78	110/110/75 P	87°30'	112	198



HTDA Dvojitá odbočka

Double branch
Doppleabzweige
Панельные отводы

ART.	DN/D/D	α	Z1	Z2	Z3
COD5554	50/50/50	45°	12	61	61
COD5556	50/50/50	67°30'	20	41	41
COD5558	50/50/50	87°30'	28	30	30
COD7554	75/50/50	45°	5	75	130
COD7558	75/50/50	87°30'	25	25	113
COD7774	75/75/75	45°	20	85	170
COD7776	75/75/75	67°30'	28	59	59
COD7778	75/75/75	87°30'	40	40	145
CODA554	110/50/50	45°	17	104	91
CODA556	110/50/50	67°30'	8	73	54
CODA558	110/50/50	87°30'	28	60	32
CODA774	110/75/75	45°	0	105	185
CODA776	110/75/75	67°30'	22	78	67
CODA778	110/75/75	87°30'	50	35	150
CODAAA4	110/110/110	45°	25	134	134
CODAAA6	110/110/110	67°30'	40	86	86
CODAAA8	110/110/110	87°30'	57	62	62



HTED Rohová odbočka

Corner branch
Eckabzweige
Панельные отводы

ART.	DN/D/D	α	L	Z1	Z2	Z3
COR5554	50/50/50	45°	124	12	61	61
COR5556	50/50/50	67°30'	124	20	41	41
COR7776	75/75/75	67°30'	153	28	59	59
CORA554	110/50/50	45°	135	-17	104	91
CORA556	110/50/50	67°30'	135	8	73	54
CORAAA4	110/110/110	45°	202	25	134	134
CORAAA6	110/110/110	67°30'	202	40	86	86
CORAAA8	110/110/110	80°30'	185	60	93	60

