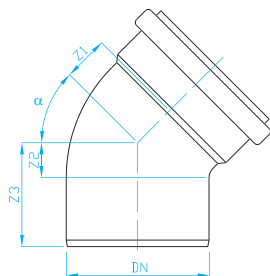


HT PP VNITŘNÍ ODPADNÍ SYSTÉM

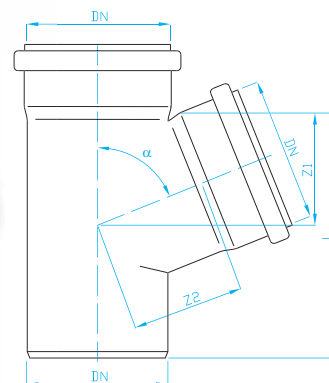
HT PP INTERNAL DRAINAGE SYSTEM | HT PP HAUSABFLUSSSYSTEM | HT PP ВНУТРЕННЯЯ КАНАЛИЗАЦИЯ ОТВЕТВЛЕНИЕ



HTB Koleno

Bend
Bögen
Колено

ART.	DN	α	Z1	Z2	Z3
СК31000	32	15°	4	8	54
СК33000	32	30°	6	10	56
СК34000	32	45°	9	12	58
СК36000	32	67°30'	14	17	63
СК38000	32	87°30'	8	14	60
СК41000	40	15°	5	8	63
СК43000	40	30°	7	11	66
СК44000	40	45°	10	14	69
СК46000	40	67°30'	16	20	75
СК48000	40	87°30'	23	26	81
СК51000	50	15°	5	9	64
СК53000	50	30°	9	12	67
СК54000	50	45°	12	16	71
СК56000	50	67°30'	20	23	78
СК58000	50	87°30'	28	31	86
СК71000	75	15°	7	11	71
СК73000	75	30°	12	15	75
СК74000	75	45°	18	21	83
СК76000	75	67°30'	28	31	93
СК78000	75	87°30'	40	43	105
СКА1000	110	15°	9	14	84
СКА3000	110	30°	17	21	91
СКА4000	110	45°	25	29	99
СКА6000	110	67°30'	40	44	114
СКА8000	110	87°30'	57	61	131
СКС1000	125	15°	10	14	92
СКС3000	125	30°	18	22	100
СКС4000	125	45°	28	33	110
СКС6000	125	67°30'	46	50	127
СКС8000	125	87°30'	65	70	147



HTEA Odbočka

Branch
Abzweige
Отвод

ART.	DN/D	α	Z1	Z2	L
CO00334	32/32	45°	43	43	98
CO00338	32/32	87°30'	23	23	85
CO00444	40/40	45°	49	49	116
CO00446	40/40	67°30'	33	33	106
CO00448	40/40	87°30'	25	25	112
CO00544	50/40	45°	54	56	116
CO00546	50/40	67°30'	35	39	110
CO00548	50/40	87°30'	25	30	116
CO00554	50/50	45°	61	61	129
CO00556	50/50	67°30'	41	41	115
CO00558	50/50	87°30'	30	30	115
CO00744	75/40	45°	67	74	138
CO00746	75/40	67°30'	40	52	124
CO00748	75/40	87°30'	26	42	116
CO00754	75/50	45°	74	79	138
CO00756	75/50	67°30'	46	54	124
CO00758	75/50	87°30'	31	43	118
CO00774	75/75	45°	91	91	172
CO00776	75/75	67°30'	59	59	150
CO00778	75/75	87°30'	43	43	154
CO00A44	110/40	45°	84	99	182
CO00A48	110/40	87°30'	27	59	152
CO00A54	110/50	45°	91	104	182
CO00A56	110/50	67°30'	54	73	158
CO00A58	110/50	87°30'	32	60	152
CO00A74	110/75	45°	109	116	182
CO00A76	110/75	67°30'	67	78	157
CO00A78	110/75	87°30'	45	60	152
CO00AA4	110/110	45°	134	134	231
CO00AA6	110/110	67°30'	86	86	200
CO00AA8	110/110	87°30'	62	62	192
CO00CA4	125/110	45°	141	143	243
CO00CA6	125/110	67°30'	89	93	225
CO00CA8	125/110	87°30'	63	69	204
CO00CC4	125/125	45°	152	152	266
CO00CC6	125/125	67°30'	97	97	266
CO00CC8	125/125	87°30'	70	70	266