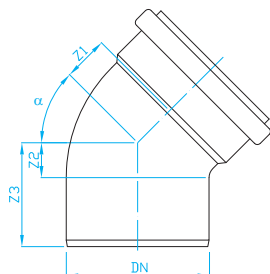


HT PP VNITŘNÍ ODPADNÍ SYSTÉM

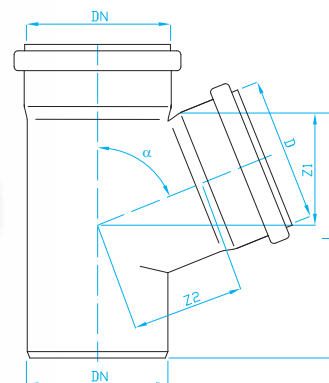
HT PP INTERNAL DRAINAGE SYSTEM | HT PP HAUSABFLUSSSYSTEM | HT PP ВНУТРЕННЯЯ КАНАЛИЗАЦИЯ ОТВЕТВЛЕНИЕ



HTB Kolenó

Bend
Bögen
Колено

ART.	DN	α	Z1	Z2	Z3	balení ks
CK31000	32	15°	4	8	54	20
CK33000	32	30°	6	10	56	20
CK34000	32	45°	9	12	58	30
CK36000	32	67°30'	14	17	63	20
CK38000	32	87°30'	8	14	60	30
CK41000	40	15°	5	8	63	40
CK43000	40	30°	7	11	66	40
CK44000	40	45°	10	14	69	40
CK46000	40	67°30'	16	20	75	40
CK48000	40	87°30'	23	26	81	40
CK51000	50	15°	5	9	64	25
CK53000	50	30°	9	12	67	25
CK54000	50	45°	12	16	71	40
CK56000	50	67°30'	20	23	78	25
CK58000	50	87°30'	28	31	86	40
CK71000	75	15°	7	11	71	20
CK73000	75	30°	12	15	75	20
CK74000	75	45°	18	21	83	30
CK76000	75	67°30'	28	31	93	20
CK78000	75	87°30'	40	43	105	30
CKA1000	110	15°	9	14	84	25
CKA3000	110	30°	17	21	91	25
CKA4000	110	45°	25	29	99	25
CKA6000	110	67°30'	40	44	114	20
CKA8000	110	87°30'	57	61	131	20
CKC1000	125	15°	10	14	92	20/1
CKC3000	125	30°	18	22	100	20/1
CKC4000	125	45°	28	33	110	20/1
CKC6000	125	67°30'	46	50	127	20/1
CKC8000	125	87°30'	65	70	147	20/1



HTEA Odbočka

Branch
Abzweige
Отвод

ART.	DN/D	α	Z1	Z2	L	balení ks
C000334	32/32	45°	43	43	98	20
C000338	32/32	87°30'	23	23	85	20
C000444	40/40	45°	49	49	116	20
C000446	40/40	67°30'	33	33	106	20
C000448	40/40	87°30'	25	25	112	20
C000544	50/40	45°	54	56	116	20
C000546	50/40	67°30'	35	39	110	20
C000548	50/40	87°30'	25	30	116	25
C000554	50/50	45°	61	61	129	20
C000556	50/50	67°30'	41	41	115	20
C000558	50/50	87°30'	30	30	115	20
C000744	75/40	45°	67	74	138	20
C000746	75/40	67°30'	40	52	124	20
C000748	75/40	87°30'	26	42	116	20
C000754	75/50	45°	74	79	138	20
C000756	75/50	67°30'	46	54	124	20
C000758	75/50	87°30'	31	43	118	20
C000774	75/75	45°	91	91	172	20
C000776	75/75	67°30'	59	59	150	20
C000778	75/75	87°30'	43	43	154	20
C000A44	110/40	45°	84	99	182	20
C000A48	110/40	87°30'	27	59	152	20
C000A54	110/50	45°	91	104	182	20
C000A56	110/50	67°30'	54	73	158	20
C000A58	110/50	87°30'	32	60	152	20
C000A74	110/75	45°	109	116	182	20
C000A76	110/75	67°30'	67	78	157	20
C000A78	110/75	87°30'	45	60	152	20
C000AA4	110/110	45°	134	134	231	12
C000AA6	110/110	67°30'	86	86	200	12
C000AA8	110/110	87°30'	62	62	192	15
C000CA4	125/110	45°	141	143	243	10/1
C000CA6	125/110	67°30'	89	93	225	10/1
C000CA8	125/110	87°30'	63	69	204	10/1
C000CC4	125/125	45°	152	152	266	20/1
C000CC8	125/125	87°30'	70	70	266	20/1